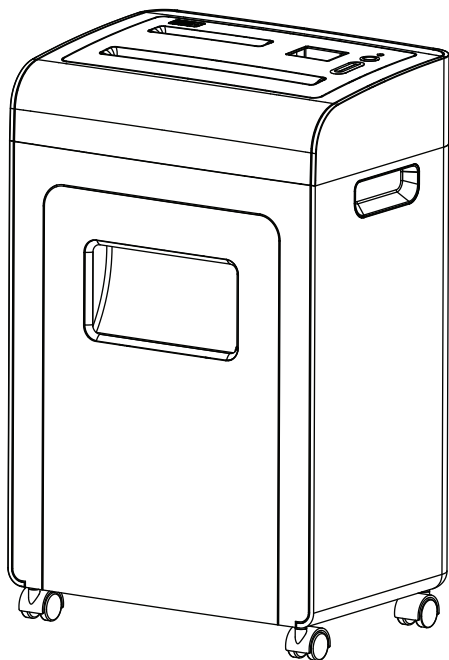


deli

# U PAPER SHREDDER SER'S MANUAL

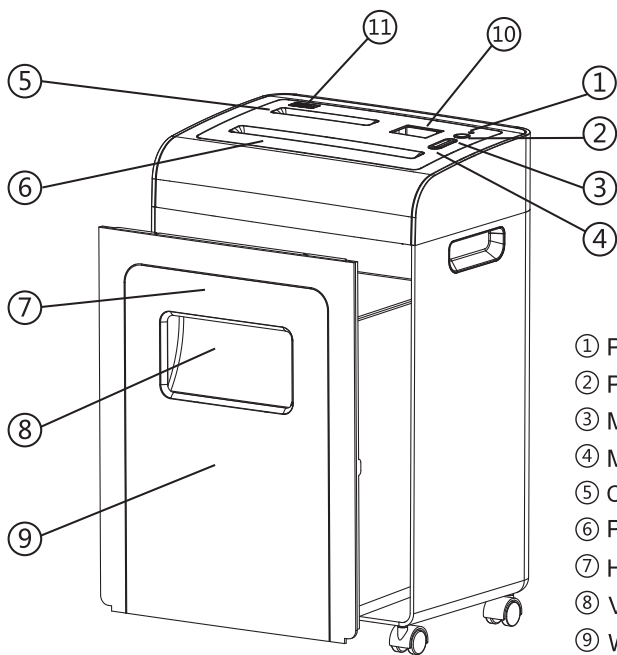


MODEL:

S220LDS3-1(9913) S230LDS4-1(9914)

S230LDS3-1(9915) S240LDS3-1(9917)

## Product Outlook & Names



(Picturer only for reference,pls take product for material object as standard )

- ① Power indicator
- ② Power switch
- ③ Manual reverse
- ④ Manual feed
- ⑤ CD entrance
- ⑥ Paper entrance
- ⑦ Handle
- ⑧ Visible screen
- ⑨ Waste-bin
- ⑩ LCD screen
- ⑪ Negative ions generator

## Operating Procedures

1. Connect the power cable & plug.
2. Press the power switch button and the indicator light will turn green, indicating that the machine is ready. The machine will start to shred automatically and resume the standby mode afterward. Press the power switch button again to shut down the machine after using.
3. When you want to stop the operation of shredding paper, you can press "REV" button for sending out them.
4. If paper blocked in case of overload, the indicator light will turn red, the motor will reverse automatically to send out the paper, and the machine will automatically stop. Take out the paper, and the light turns green.
5. When the waste-bin is full, the machine will alert automatically. After empty the container, the machine will run again after a moment.
6. When the inside temperature is too high after continuous working, there is an overheat protection for the motor to shut off automatically at this time. Let the shredder cool down for 30 minutes before operating again.

# Product Specifications

Article No.	9913	9914	9915	9917
Voltage	AC220V/50Hz	AC220V/50Hz	AC220V/50Hz	AC220V/50Hz
Power supply(w)	190	255	255	320
Shred type	cross cut	cross cut	cross cut	cross cut
Shred size (mm)	3x16	2x6	3x15	4x40
CD Shred effect (pcs)		5	5	5
Shred capacity(70g A4) (sheet)	6	6	10	16
Shred speed (m/min)	≥2	≥2	≥2	≥2
Entrance width (mm)	220	230	230	240
CD Feeding width (mm)		122	122	122
Waste-bin volume (L)	16	21	21	31
Dimensions (mm)	330x203x510	370x235x545	370x235x545	390x270x615
Noise (dB)	≤ 70	≤ 70	≤ 70	≤ 70
Net weight(kg)	7.5	10	10	14.8
Continuous working time(min)	5	10	10	10

## Packing List

No.	Item	Quantity	Remark
1	Shredder	1	
2	Instruction manual	1	
3	Guarantee card	1	
4	Passed certificate	1	

Thank you for purchasing paper shredder, the advanced functions and design of which mostly suit your office. We are confident that the shredder will make a major contribution to destroy used documents and ensure the confidentiality of sensitive materials.

To help you correctly use the shredder and prevent you and others from suffering hazards and property losses, please read this manual carefully.

## Useage attention



### Warning



Please the shredder in a steady place and do not overturn it .

※ Otherwise there is the possibility of breaking the machine.



Unauthorized disassembly, rebuilding or service of the shredder is not allowed.  
 ※ Otherwise there is the possibility of electric shock or injury.



Do not handle power plug by wet hands.  
 ※ Otherwise there is the possibility of electric shock.



Plug out the power plug from the socket of power supply when dumping paper scraps or moving the shredder, and also in case of long time unused.  
 ※ Otherwise there is the possibility of fire or electric shock.



Do not sprinkle water to the shredder.  
 ※ Otherwise there is the possibility of fire or electric shock.



Do not put the shredder beside any heating or cooling equipment or in a place where there is high temperature, excessive moist or lots of dust.  
 ※ Otherwise there is the possibility of breaking the machine.



Never damage or process the power cable. Never put heavy objects on the electric line.

※ Otherwise there is the possibility of fire or electric shock.



In case of abnormal conditions such as emission of smoke odor, please stop using the shredder.

※ Otherwise there is the possibility of fire or electric shock.



If the shredder and power cable have any breakage, please do not use it.

※ Otherwise there is the possibility of fire or electric shock.

## **Caution**



Danger! Keep out of reach of children.

※ Blade inside machine. Protect yourself against injury.



Danger! Never touch the blade.

※ Blade inside machine. Protect yourself against injury.



Keep ties or sleeves away from paper-feeding opening to avoid pulling-in.

※ When accident happens, press "REV" button and then take it out.



Keep hair away from paper-feeding opening to avoid pulling-in.

※ When accident happens, press "REV" button and then take it out.



Keep clip, pins or staples away from paper-feeding opening to avoid pulling-in.

※ When accident happens, press "REV" button and then take it out.



Please keep the shredder away from flammable gas.

※ To Avoid a fire

## Maintenance

1. Pull out the power plug from the socket of power supply before maintenance
2. The maintenance by user is only limited to cleaning visible surface of the shredder.
3. When cleaning the surface of the shredder, do not allow water to drop into the interior of the shredder.

Use cloth dipped with small amount of soap water to clean the exterior of the shredder. The cloth must be closely wrapped around hands during cleaning, so as to avoid the cloth to drop into the paper entrance, and it is prohibited to use organic solvents such as gasoline, benzene solvents or dilution agent to do the cleaning. Decontamination powder must not be used too.

## Status Indicator Panel

### Status Indicator Panel

**Power:** Machine is connected to the power and ready for paper or disk shredding process.

**Working:** Machine is under operation with paper or disk being shredded.

**Reverse:** Machine is under reserve status and rejects paper or disk from machine.

**Over-heat:** Machine stops working because the temperature is too high.

**Door open:** Scrap box is not properly positioned and need to be repositioned.

**Paper full:** Scrap box is full and needs to be cleared to resume operation.

## Trouble Analysis & Troubleshooting

TROUBLE	TROUBLE ANALYSIS	TROUBLESHOOTING
<b>SHREDDER NO RUNNING</b>	plug disconnect, no power	connect the plug
	lower voltage	provide the rated power
	if not put the waste-bin into the scheduled position, no power	push the waste-bin into scheduled position
	automatically stop running to prevent motor from over heating	wait for motor cooling down naturally
	paper is too transperance	fold paper or add thicker paper
	waste-bin fulfilled	empty waste-bin
	overload not relieve	reduce the number of paper and feed again
<b>TURN IN BLOCKED</b>	jammed paper	select the " manual reverse" button to get the excessive paper out
<b>CONSTANTLY RUNNING</b>	particles at the paper feed opening	clean up
<b>NOISE LOUD</b>	floor is hollow or machine not located steadily	adjust location

In case the above solutions are not able to remove any trouble of the shredder, please stop using it immediately, disconnect the power plug and switch off power supply. Contact the local service agency of our company for disassembly and service of the shredder.

# **DELI GROUP CO., LTD.**

Add:Deli Industry Zone, Ninghai County,  
Zhejiang Province,China  
[www.deli-stationery.com](http://www.deli-stationery.com)  
MADE IN CHINA

